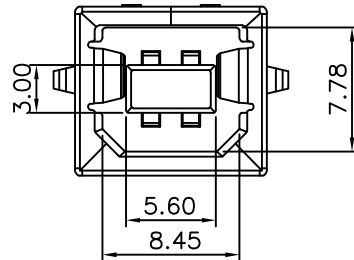


(COMPONENT SIDE)  
PCB LAYOUT



**ELECTRICAL:**

CURRENT RATING: 1.5A  
 CONTACT RESISTANCE:  
 < 30 Milliohm Max.  
 INSULATION RESISTANCE:  
 > 1000 Megaohm Min. at 500DC  
 DIELECTRIC WITHSTANDING VOLTAGE:  
 500V (rms) AC for 1 Minute  
 OPERATING TEMPERATURE: -40°C to +85°C

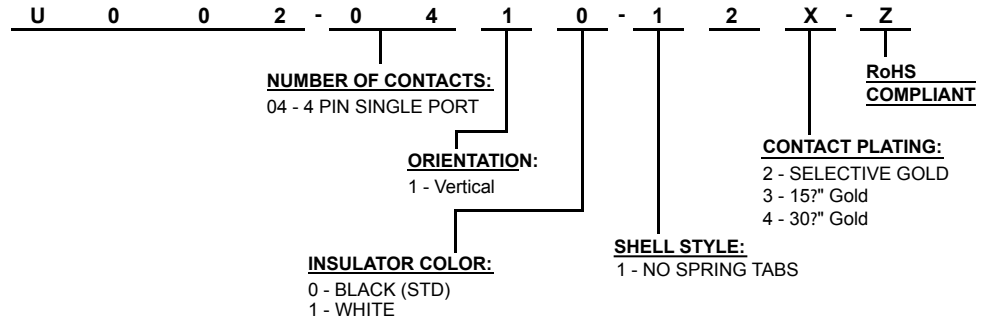
**MATERIAL:**

INSULATOR: PBT (30% Glass Filled)  
 CONTACTS: Copper Alloy  
 CONTACT PLATING: Gold Plating over Nickel on Contact Area,  
 Tin Plating over Nickel on PCB Tail  
 SHELL: Copper Alloy  
 SHELL PLATING: Nickel 80-120m"

**MECHANICAL**

MAX PROCESS TEMP: 230°C for 30~60 Seconds  
 260°C for 10 Seconds

**HOW TO ORDER:**



Rev	Description	Drawn	Checked	Approved	Date
0	Issued	D.H.	S.M.	S.M.	7/20/04
A	Revised for RoHS Compliance	WHS	S.M.	S.M.	6/08/06
B	Revised PCB Layout	B.S.	S.M.	S.M.	03/17/10

**SMP TECHNOLOGY, INC.**

USB Connector 4 Pin, Type B, Vertical Mount, Thru Hole